

The ADSL microfilter allows the transmission of the voice signal, (low pass band filter) and avoids the transmission of the ADSL signal to the phone or other equipment connected to the output. The voice signal keeps a high quality without distortions or noises.

The maximum number of microfilters that can be installed in the same line is 3, if higher an HR splitter must be used.

MFAD101- To be used in conventional lines (POTS) and without billing tone. It can be placed next to the telephone or at the line output.

Countries: Australia, Belgium, Bulgaria, Canada, Cyprus, Holland, Ireland, Check Republic, Sweden, Tunes.

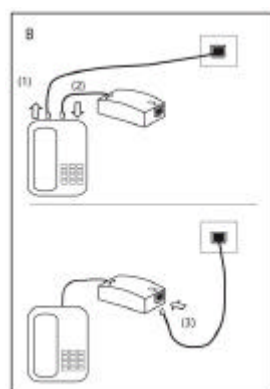
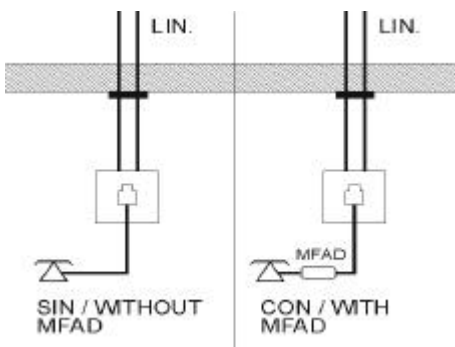


- Ready for new ADSL 2 + technology.
- Plastic material (Fireproof).
- RJ11 connector with gold covering (50µ")
- Exclusive design
- Designed according environment regulation ETS300019 part.1-1, class1.2; part1-2, class2.3; part.1-3, class3.2

Technical requirements

Voice specifications		General specifications	
Pass band (P.b.)	0-4 KHz	Resistance in loop	< 50 Ω
Line impedance	150nf // 750Ω + 270 Ω	Line/ground isolation resistance	> 100 Ω
Insertion losses in (B.p.)	< 0,32dB	Isolation resistance line	> 10 MΩ
Distortion of insert losses in (B.p.)	< 0,5 dB	Line connectors	1 RJ11
Return losses to 200Hz : 1MFA - (3MFA)	> 10,2 dB – (>10,2DdB)	Phone connectors	1 RJ11
Return losses to 3,5KHz : 1MFA - (3MFA)	> 12 dB – (>10,5 dB)	Cable with two connectors RJ11 (length)	15 cm
Return losses to 4,4KHz : 1MFA - (3MFA)	> 14 dB – (>12,5 dB)	Surface mounting	Adhesive tape
ADSL band attenuation (32 KHz – 2,2 MHz)	> 20 dB	Dimensions	(59x27x23) mm
Maximum current (Imax) d.c.	100 mA	Weight	35 gr

Installation and connections



Installation diagram

The microfilter ADSL Alarm must be placed in the line entrance in the alarm equipment. As shown in the diagram.

Installation process

- A/1- Unplug the phone cable from the line output.
 2- Connect the microfilter to the line output.
 3- Connect the phone cable to the microfilter connector RJ11 (telephone).
 B/1- Unplug the phone line cable.
 2- Connect the microfilter to phone, with the supplied cable.
 3- Connect the line cable to the microfilter line (LIN)

It contains

- Microfilter MFAD101
- Cable 15cm with 2 connectors RJ11
- Adhesive tape
- Installation Instructions